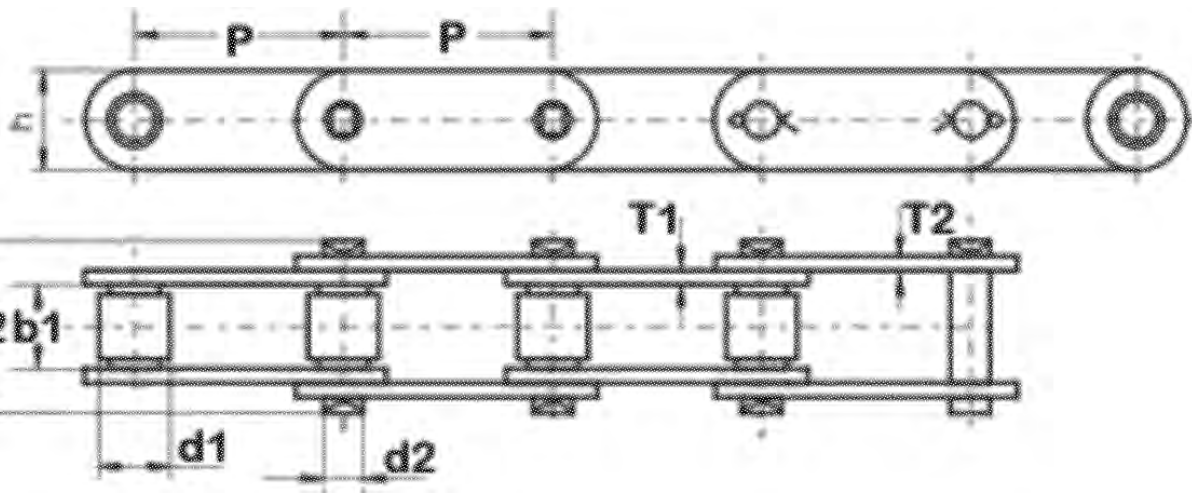
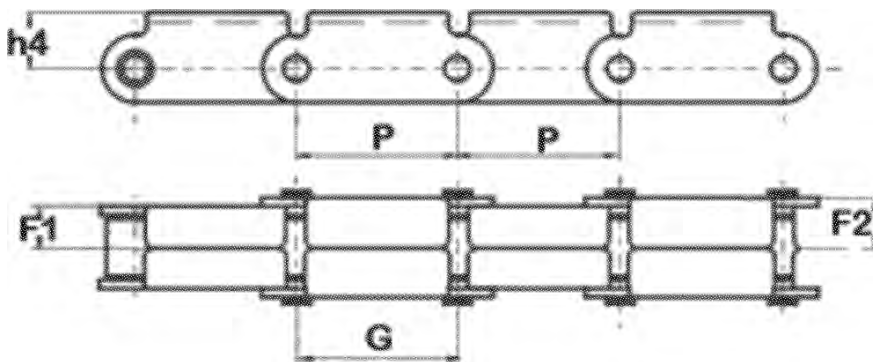


# Lumber Conveyor Chain



Chain	Pitch	b1	d1	h1	T1	T2	d2	b2	U.T.S KN	A.T.S KN	Kg/ft
81X	66.27	26.99	23.02	28.6	4.0	4.0	11.1	49.0	106.70	128.04	1.11
81XH	66.27	26.99	23.02	31.4	7.5	5.6	11.1	59.2	152.00	182.40	1.70

## Roof Top Chain



Chain	Pitch	F1	F2	G	h4
81X RT	66.27	17.5	21.8	56.0	25.4